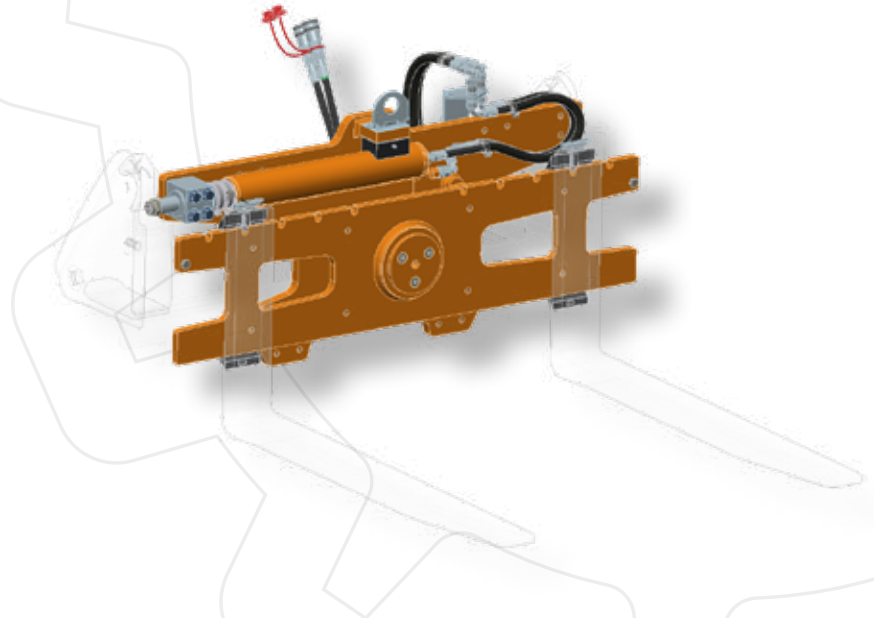


PIVOTING PALLET DEVICE PD-2



Application:

The pivoting pallet device PD-2 is used to transport, turn and empty the contents of loads such as pallets and crates. The PD-2 is available in 2 versions, one fitting to Hauer pallet frames (height 300mm) and the other one fitting ISO FEM 2 pallet frames (height 407mm).

Operating Principle:

For mounting the device, the tines are removed from the pallet frame, the rotating device is hooked on top of the pallet frame and fixed with screwable hooks at the bottom. The pallet tines are mounted on the PD-2.

The PD-2 can be rotated from -14° to $+180^{\circ}$. For works on level ground, there can be used a stopper to limit the rotating angle to 0° . When working in the field, the stopper can be removed in order to compensate for differences in inclination between the tractor and for example a potato box. Herewith the stopper is placed in the park position of the PD-2.

As standard, the pivoting pallet device has a left-hand rotation, however it can be converted to right-hand if required.

Advantages:

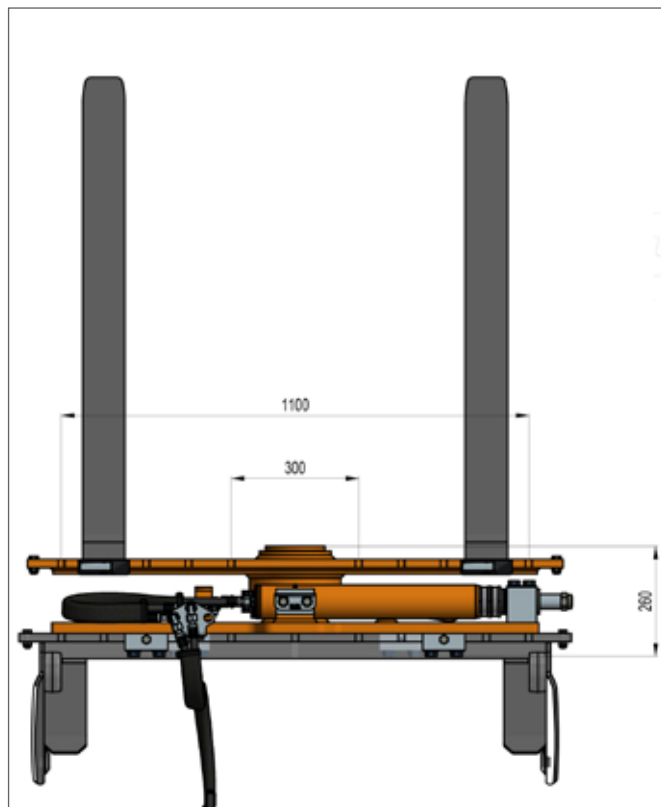
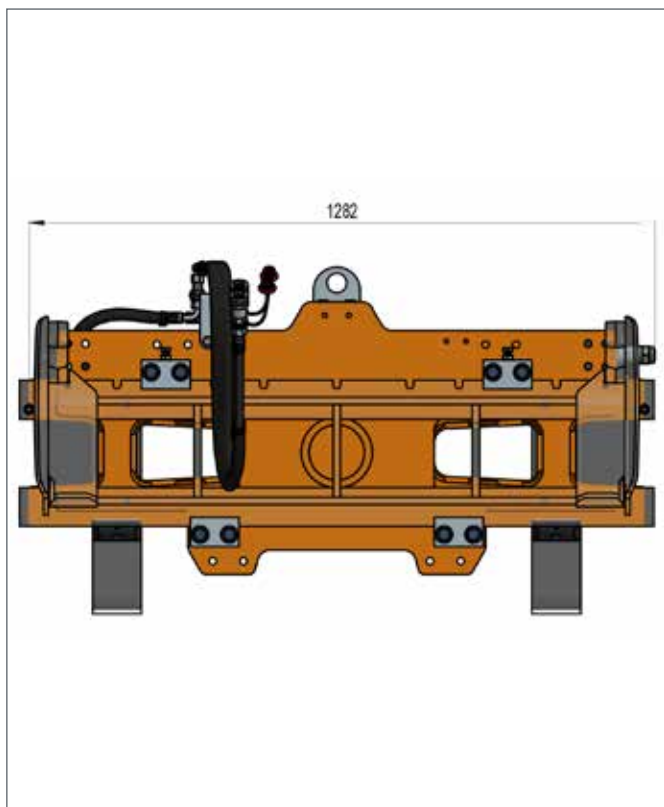
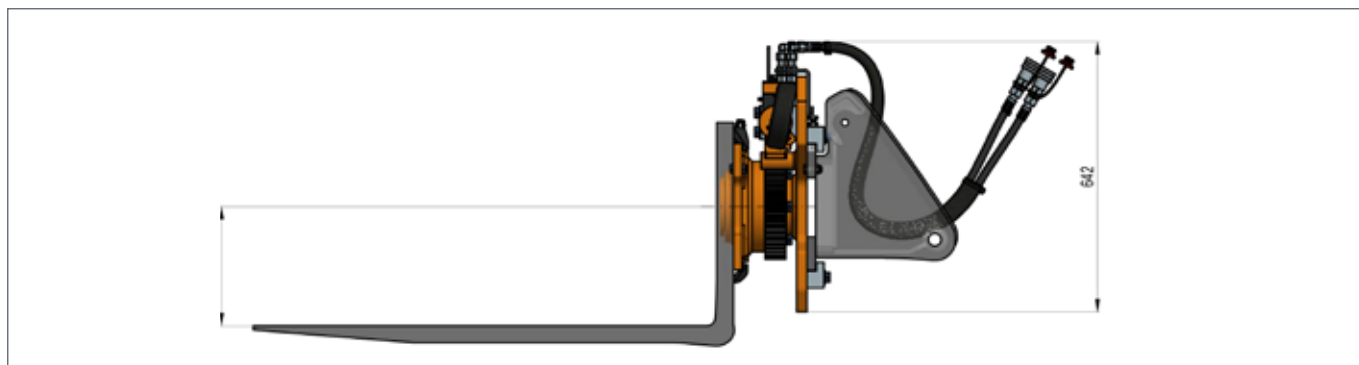
- easy to mount and retrofit to existing Hauer pallet frame
- suitable for work on uneven ground
- can be converted to right-hand rotation
- can be ordered also for fork lift with ISO FEM 2

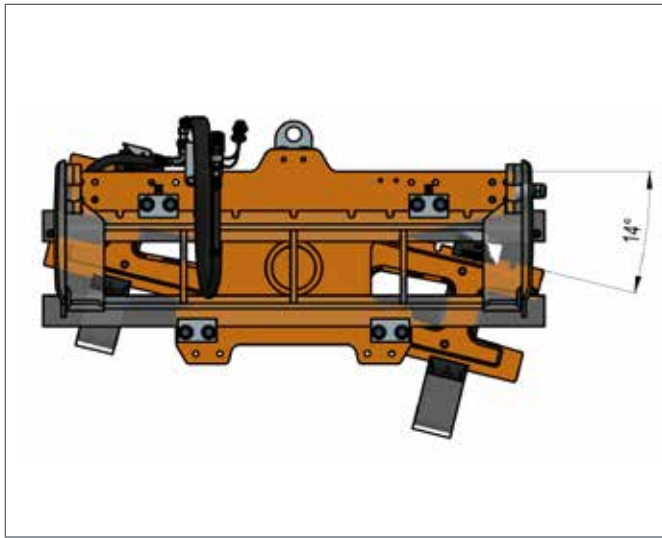


Options:

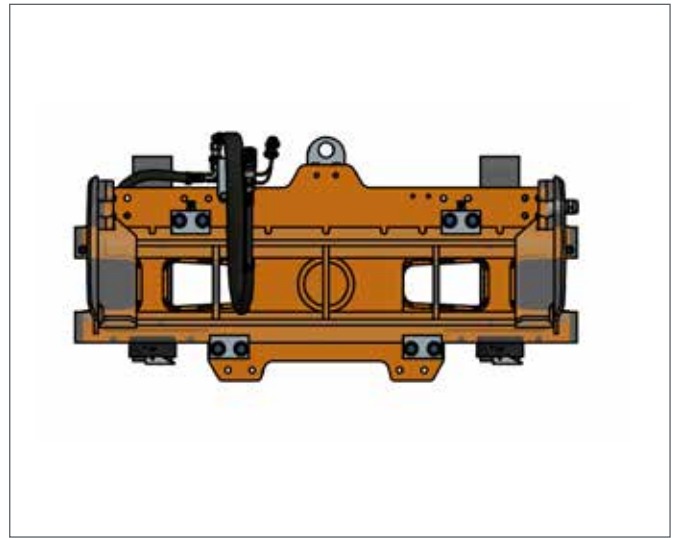
- box holder arm 90° foldable (63 kg), width can be adjusted from 1100 - 1600mm box width, depth can be adjusted from 900 - 1100mm
- Tines
- Pallet frame
- in all RAL colours

Technical data	Tines adjustable mm	Carrying capacity kg	Rotation angle °	Weight kg
PD-2 for Hauer pallet frame	300-1100	2000	-14 to +180	210
PD-2 for ISO FEM 2 pallet frame	292-1054			227





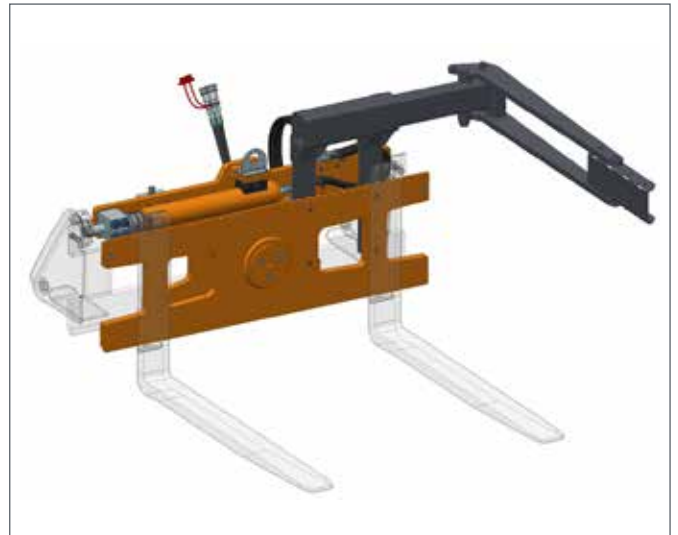
rotated to -14°



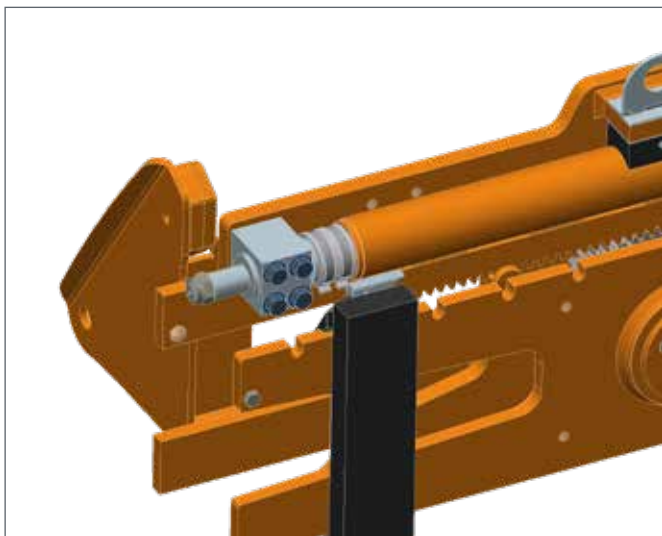
rotated to 180°



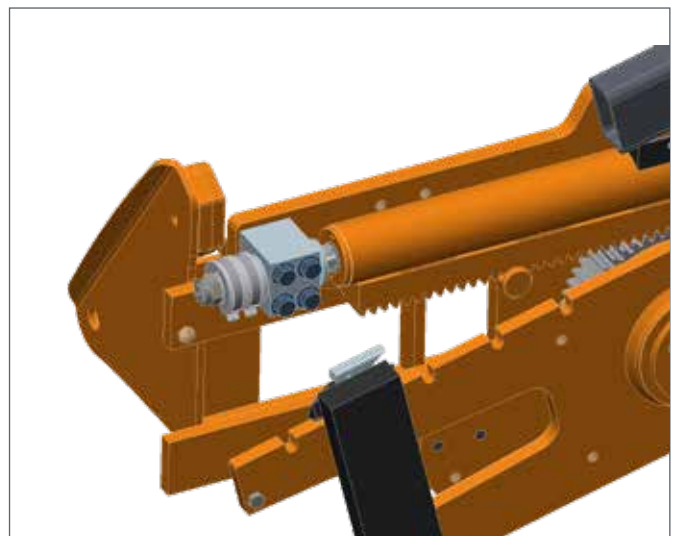
Hauer pallet frame with PD-2 and box holder



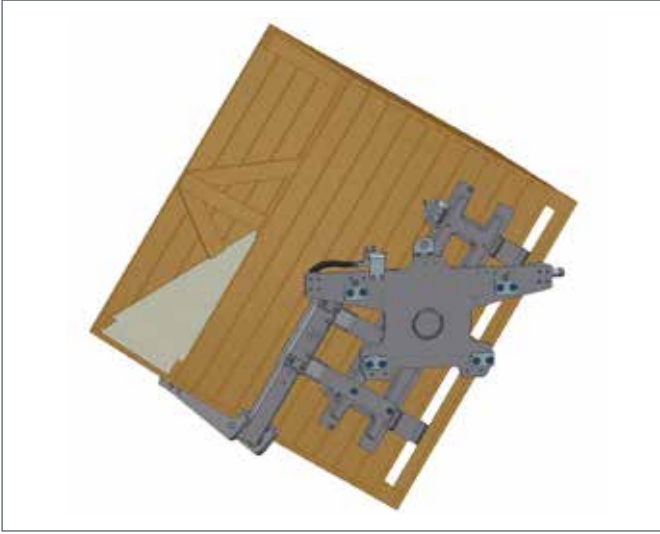
ISO FEM 2 pallet frame with PD-2 and box holder



Stopper position 0°



Stopper position -14°



PD-2 with box holder