

TOOL BOX WITHOUT BALLAST



Application:

The tool box without ballast is the optimal solution to store tools practically and safely.

Operating Principle:

Just as with the Hauer 3-point weights, the tool boxes without ballast also have a very compact design and are therefore particularly suitable for a variety of work and still are universally usable. The cover is held in place by a gas pressure damper. The latches of the cover can be locked at the front with a padlock or similar.

Advantages:

- compact and sturdy design
- sealed and lockable storage room
- durable 2-coat 2-components paint



INNOVATION WITH TRADITION FOR LIFE.

Standard specification:

- hooks category 2/3 (depending on size)
- standard Hauer black matt or Hauer orange (optional all RAL colours)
- cover with gas pressure damper
- reflective stripes
- anti-slip mat

Options:

- side marker lamps
- head light
- underride protection, incl. side marker lamps
- divider
- work bench
- attachment frame front weight for coupling plate DIN 76060-B Euro size 3
- pedestals
- castors
- name badge (max. 10 letters)
- paint finish available in all RAL colours



Tool box standard equipment



Tool box standard equipment



Work bench folded out



Work bench folded in



Pedestals



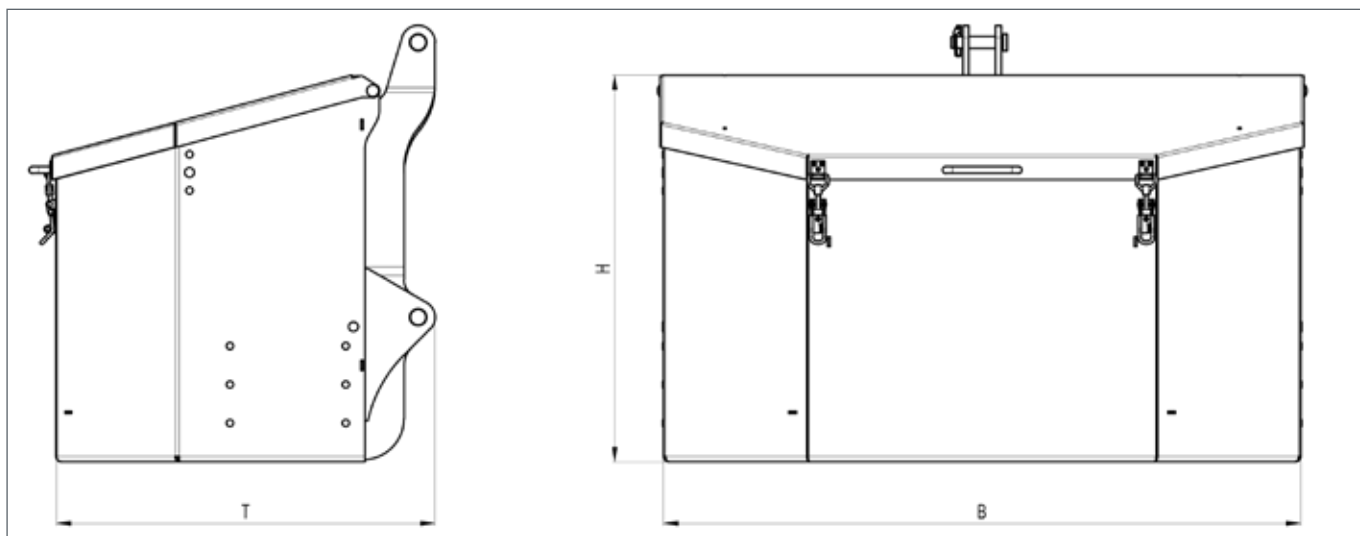
Castors



Underride protection, incl. side marker lamps



Attachment frame front weight for coupling plate
DIN 76060-B Euro size 3



Technical data	Width mm (B)	Depth mm (T)	Height mm (H)	Hooks Category	Filling volume l	Weight kg
Tool box without ballast 455 l	1345	785	800	2/3	455	180
Tool box without ballast 570 l	1645	785	800	2/3	570	205

© Hauer 07/2024. Images shown may differ from standard delivery. Errors excepted and technical changes reserved.



Franz Hauer GmbH & CoKG, A-3125 Statzendorf, Werksstraße 6,

Tel.: +43 / (0)2786 / 7104-0 | info@hfl.co.at | www.hfl.co.at