



# FRONT LINKAGES

AND ACCESSORIES

INNOVATION WITH TRADITION FOR LIFE.

---

## UNIVERSAL SOLUTIONS FOR YOUR TRACTOR



Hauer has been manufacturing front linkages in Austria for more than 40 years. Based on our long-standing experience and customer proximity, our products stand out for superior quality and excellent practicality. Our products underlie a constant developing process which is aimed at making them as versatile and universal as possible. All Hauer products are build with longevity in mind so they are a cost-effective investment that lasts for a lifetime.

Hauer front linkages stand out for their compact build, rugged design and high ground clearance. Special attention is paid to ensure our linkages are compatible with our front loader brackets and pto's. We also provide suitable base bearers for heavy-duty arable and snow clearing and grading applications. Furthermore, our user-friendly ground pressure control system improves traction and avoids damage to the ground and soil.



A large pile of green hay in the foreground, with a vast green field extending to a line of trees in the background under a blue sky with white clouds.

COMPACT BUILD.  
POWERFUL LIFT.



## RUGGED DESIGN

- Rugged premium-quality steel weldment
- Beefy lower links
- Massive threaded assemblies and pins
- Long attachment parts reach up to the clutch housing

## OUTSTANDING LIFT FORCES

Massive lift cylinders develop lift powers of 1,800kg, 2,800kg or 4,800kg depending on specification.

## GENEROUS GROUND CLEARANCE

Generous ground clearance that is unobstructed by the linkage and its attachments is key in field and forest work. This applies in particular when using base bearers (see large photo) which distribute heavy loads across the tractor thereby protecting also the tractor from damage.

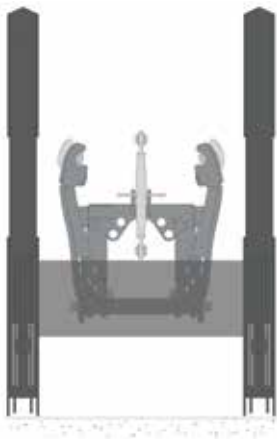


## PIVOTING RANGE AND TURNING ANGLE

Using advanced 3D technology, we design our linkages so they won't interfere with the tractor's turning angle and pivoting range. This means the special features of your tractor are not impaired.



# VERSATILE AND EASY USE FOR ALL APPLICATIONS

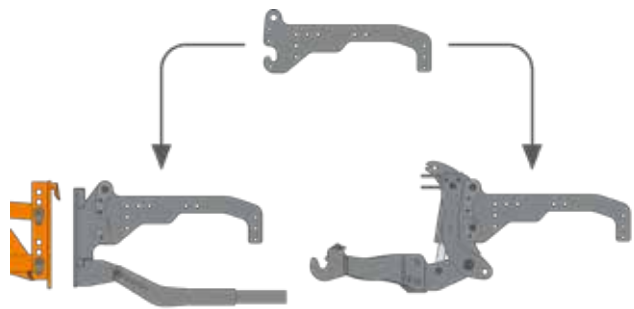


## FRONT LOADERS

- Carefully designed, our linkages are fully compatible with our front-end loader brackets.
- The sloping lower links are close to the tractor
- For smooth loader operation.

## COUPLING PLATE

Our FS-4 28 / 48 linkages come either with massive bolts or locking pins that allow operators to remove the linkage and also replace it by our coupling plate.



## LINKAGE CONTROL

The ELC ergo proportional control gives operators perfect linkage control from the tractor seat.

External electric controls are also available as an option to operate the linkage from the ground and control an extra hydraulic circuit (e.g. the hydraulic top link or the attachment).

## SUPPORT BEAM

- Optional support beam are available for FS-4 28 / 48 for extra stability and heavy-duty applications





## THE NEW TOP LINK HOLDER

Our front linkages have a new top link holder that offers two storage positions for versatile and convenient use.

The new vertical option allows operators to attach the link to the implement single-handed or centrally on the front linkage.



# ALL THAT COUNTS AT ONE GLANCE



## FSK 18

- Securely attached to the tractor with attachment parts
- Compact design
- The foldable lower links are close to the machine and have Walterscheid couplers
- Generous ground clearance
- Perfectly suited for snow and grader blades
- Comprehensive level of standard specification and optional accessories

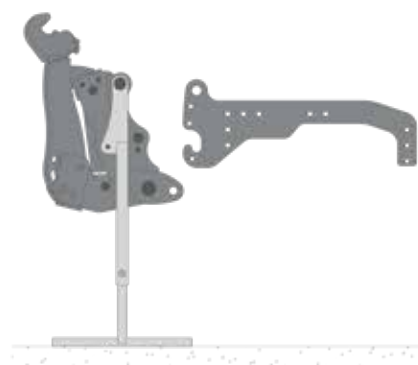


## FS-4 28/48

- Either permanently installed to the tractor using attachment parts or removable version
- Rugged design
- Foldable lower links are close to the machine body and have Walterscheid couplers
- Generous ground clearance
- Interchangeable with the coupling plate
- Support beam available for heavy-duty applications (e.g. snow plough, arable work)
- Comprehensive level of standard specification and optional accessories



FS-4 front linkage with attachment parts



front linkage removed from the tractor





Technical Data		FSK-18	FS-4 28	FS-4 48
Weight (excl. attachment parts) kg	kg	157	165	186
Recommended tractor power	hp	up to 70	up to 110*	from 110
	kW	up to 52	up to 81*	from 81
Lift power kg	kg	1.800	2.800	4.800
Max. lift range mm	mm	700	700	715
Category to DIN/ISO 730-1 cat	Kat	2 (or 1)	2 (or 1)	2
Lower hitch spacing mm	mm	825 (or 683)	825 (or 683)	825
Coupler (ball) cat	Kat	2 (or 1)	2 (or 3)	3

\*110hp / 81kW or higher, only for carrying loads

All figures are approximate and not binding and may vary depending on the actual oil pressures generated.



HOST OF ACCESSORIES  
FOR ALL NEEDS

# TOP-LEVEL SPECIFICATIONS

## CUSTOM CONFIGURATION

	FSK-18	FS-4
Foldable lower links, permanently bolted or pin-mounted for fast removal	●	●
Walterscheid couplers	●	●
Lockable pendulum compensation	●	●
Double-acting lift cylinders	●	●
Ball sockets on lift cylinders	●	●
Tap	●	●
Integral clevis	●	●
Top link	●	●
Holes for retrofitting support beam	—	●
In-board oil lines	●	●
Provision for electric light socket	●	●
Provision for routing extra lines inside the traverse	●	●
Provision for electr. remote control	●	●
Stands	—	○
Extra lines inside the traverse	○	○
Light socket	○	○
ELC ergo electric linkage remote control	○	○
Multifunctional valve for lift cylinders (single/double-acting, selectable)	○	○
Hydraulic damper	○	○
Support beam	—	○
Mounting plates for suspension springs	○	○

● Standard specification    ○ Option    — Not available



### Front pto

- Available for many popular tractor models
- 1,000rpm right-hand sense of rotation (direction of travel)
- Separate oil supply from integral pump
- Freely turnable stubshaft through 60° for easy driveshaft attachment
- Convenient control from a button on the dashboard, optimised start-off speed



## BETTER TRACTION BETTER SOILS

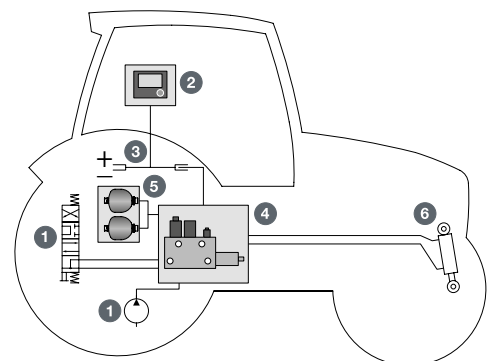
Originally developed for harsh winter conditions, the Hauer BDR-1 ground pressure control system quickly established itself also on front-end mowers and toppers. The system makes clever use of the hydraulic system and scores on robust mechanics and precision electronics for reliable service day-in, day-out. Better traction and much better steering help protect the ground and soil but also the equipment, providing maximum comfort and safety at the same time.

The weight percentage to be shifted to the tractor is conveniently set on the digital display screen. The unit stores up to five different attachments. Furthermore, operators can vary the percentage flexibly on the move to suit varying conditions. The dial can easily be retrofitted to existing LS and OC systems. Extra sensors are not required.

By default, the hydraulic accumulators are set to provide perfect contouring to 400kg+ attachments. For more light-weight attachments of less than 400kg it may be necessary to change the pressure inside the accumulator reservoirs.



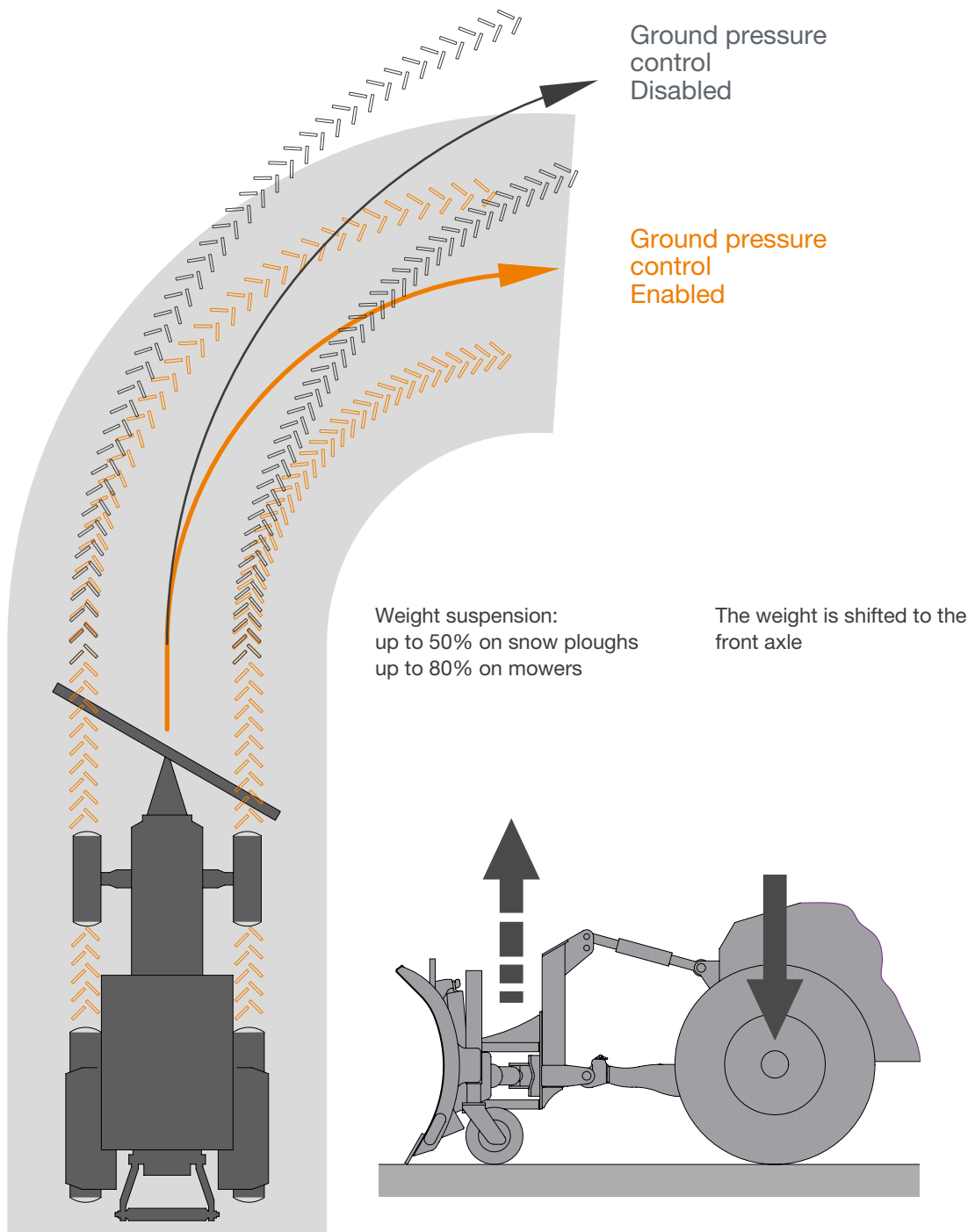
Control with touch screen and potentiometer



- 1 The tractor hydraul. system
- 2 Touch screen display
- 3 Electric connections
- 4 Spool chest
- 5 Accumulator
- 6 Lift rams

# GROUND PRESSURE CONTROL

## PERFECT SUSPENSION OF ATTACHMENTS



The BDR 1.4 ground pressure control system transfers a selectable percentage of the attachment weight to the front axle thereby reducing the load on the attachment. Extremely responsive and perfectly controlled, the system ensures excellent performance especially in difficult terrain.



## PREMIUM QUALITY MADE IN AUSTRIA. LONGEVITY IS THE PILLAR OF VIABILITY.

All Hauer products are manufactured in our factory in Lower Austria. Premium-quality materials, advanced manufacturing technology and the long-lasting experience of our staff combine with an active quality assurance programme to give our front linkages the durability and longevity our customers deserve.

These are the ingredients of the traditional Hauer quality made in Austria that warrants highest productivity and best value for money.

Front linkages from Hauer are a pleasure to use – today and tomorrow.





ALSO FOR THREE-POINT  
LINKAGES  
THE GENUINE ATTACHMENT  
THAT FITS FIRST TIME.

Examples from our extensive attachment portfolio .





**Franz Hauer GmbH & CoKG**

A-3125 Statzendorf, Werksstraße 6

Tel.: +43 / (0)2786 / 7104-0

info@hfl.co.at | www.hfl.co.at