



FORESTRY

INNOVATION WITH TRADITION FOR LIFE.

SUSTAINABLE SOLUTIONS FOR FORESTRY



It's a long-standing tradition in Austria and in many other countries that farmers also own and maintain woodland. They traditionally use tractors with a front linkage or a front loader for forestry work and timber logging and as they gain experience they pose higher demands on their equipment. Hauer has recognised the special needs of this market segment and provides these users with well-proven solutions but also with a continuous stream of new developments for tractor-based forestry work.

Harsh forestry conditions call for equipment that is rugged, hard-wearing and reliable. Therefore, we make sure we use high-grade materials that offer maximum durability in the design and manufacturing of our products.



AUSTRIAN PREMIUM QUALITY.
STRONG AND DEPENDABLE.





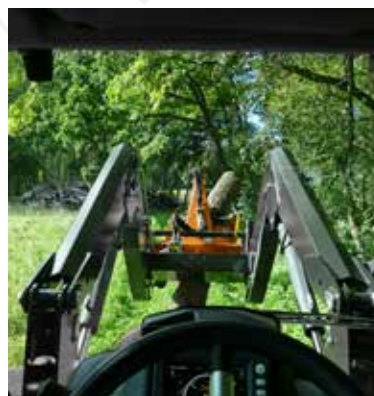
MADE TO LAST AND MEET THE HIGHEST STANDARDS



Applying the principles of nature, there has been taken a brand new approach to kinematics. The result is the XB BIONIC II series front loader which integrates all moving and delicate components in its arms, making use of space that hasn't been used before. The carefully designed solution also provides for easy servicing as all grease points are readily accessible. This design makes the XB BIONIC II the perfect loader for rough forest conditions.

BESPOKE ACCESSORIES FOR FORESTRY APPLICATIONS

- Synchro-Lock multi-coupler (also available with integral electric connectors)
- Up to three extra hydraulic services
- SMS front loader shock absorption
- ELC ergo 2 – electric proportional joystick
- Pivoting load hook
- Extra lines for operating a hydraulic motor
- Cross beam guard for forestry work
- LED work lights
- Automatic lubrication



The steel sections have five edges and the cross beam is double-walled, providing a torsion-free structure that withstands the toughest conditions. The cross beam is mounted at an angle to adopt the operator's line of vision for best visibility.

All valves and hydraulic components are housed inside the double-walled cross beam for effective protection from damage by branches, trunks and root obstructions.





SUITABLE FORESTRY EQUIPMENT FOR PROFESSIONALS

XB BIONIC II is available with a large range of implements that allow you to get the most of this high-quality boom and customise it to your needs. Hauer offers a large choice of attachments especially for forestry applications.



The Hauer attachments stand their ground in the harsh forest conditions thanks to a well thought-out design and the use of high-grade materials. Another asset is the extremely resistant 2K two-stage paint coat which offers effective protection from corrosion and allows to refinish the coat down the line during a long machine life.



Made from robust box section steel, the reach arm of the Hauer log grapple has a serrated edge on its underside for slip-free stability and improved balance of the timber logs.

The high-quality continuous rotator is linked to the reach arm by a massive universal joint. The grapple is flange-mounted to the rotator, which results in a low-profile and yet solid connection.

The grabs are made from high-tensile and fine-grained steel and all bearings have greased bronze bushings. Painted in a signal finish, the grabs are clearly visible in any position.



LOG GRAPPLE - HZ-230

- For front loader use
- High carrying capacity thanks to 4t continuous rotator
- Greased bronze bushings on all pivot pins
- Grabs painted in signal finish
- Default transport position for safe road transport

Carrying capacity kg	Weight kg	Max. jaw opening mm	Capacity m ²	Arm length mm
4000	277	1450	0.23	1150



BRUSHWOOD GRAB - RG

- Four massive and special-design tines for heavily branched material
- Generous spacings allow soil to drop from the load
- Strong and sturdy down holder controlled by two high-capacity rams
- Fold-down stand for good stability

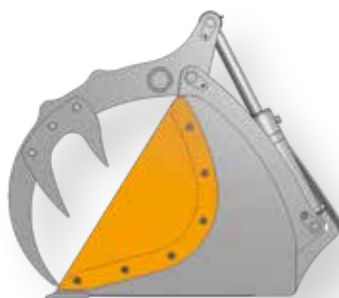
Width mm	Weight kg	Max. jaw opening mm
2000	413	1685

FORESTRY GRAB BUCKET - FGS

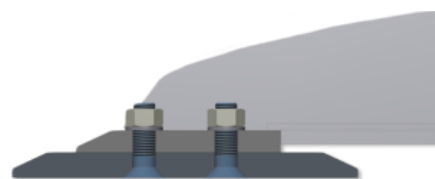
- Stronger 15mm side plates
- Extra-strong wear strips on the bucket base
- Sturdy grab with curved tines and high-power rams
- Bolt-on side tines on the down holder
- Hardened and wear-resistant cutting edge
High-grade steel (approx. 450 HB)
- Additional optional cutting edge
(screwed in the front or welded on the rear)



Width mm	Weight kg	Cutting edge mm	Volume m ³	Max. jaw opening mm
1600	464	150 / 20	0.75	1320
1800	507	150 / 20	0.85	
2000	529	150 / 20	0.95	
2200	582	150 / 20	1.05	
2400	608	150 / 20	1.15	



Bolt-on side plates are an option

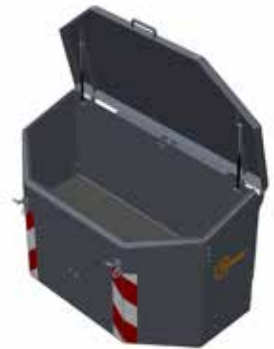


An additional cutting edge is offered as an accessory



TOOL BOX WITH BALLAST

- Practical solution to store tools
- Sealed and lockable storage room
- As standard with reflector stripes and anti-slip mat
- Additional equipment: Side marker lamps, underride protection, head light, divider, work bench, draw bar
- Weight in suitable sizes



Weight with concrete kg	Width mm	Depth mm	Height closed mm	Height opened mm	Filling volume l	Lower link hook category
450	1334	846	802	1485	380	2 / 3
700	1334	846	802	1485	380	2 / 3
1000	1634	846	802	1485	475	2 / 3
1250	1634	846	802	1485	380	2 / 3
1500	1634	960	802	1485	325	2 / 3



Side marker lamps



Underride protection



Divider



Work bench



LOGGING BLADE - POS

- Curved design for optimum log handling
- Compact and short
- Robust down holder with two hydraulic cylinders
- Two jaw open/close positions
- Can also be used for grading and cleaning up sites, because of cutting edge made from high-grade and wear-resistant steel
- Toothed sides ensure a firm grip on the logs
- Combined Euro/three-point linkage carriage as an option
- Optional on-board storage of the hydraulic cylinder during applications without down holder



Width mm	Weight kg	Jaw opening mm
1500	307	155-1100



PALLET FORK WITH DOWN HOLDER - PG-N

- Suitable for handling bulky materials such as round timber or fixing material on pallets
- Two jaw open/close positions
- Removable down holder fixed by four locking pins
- Also available without down holder but with down holder mountings in place
- Optional on-board holder stores the cylinder during work without down holder



Tine length mm	Tine size mm	Weight kg	Carrying capacity kg	Max. jaw opening mm
960	80 / 40	320	1600	1290
1100	100 / 40	347	2000	
1200	100 / 40	354	2000	

TIMBER LOGGING EASY AND SAFE

The Hauer timber grab consists of a sturdy blade with a serrated edge on the inside that helps fix the logs and ensures efficient handling. The hexagon telescoping boom is automatically centred inside the reach arm which is lined with plastic sliders for reduced wear. Extending by up to 700mm and moving through 45° angles left/right, the arm reaches also such logs that would normally be out of reach for a grab. The grapple itself is made of high-strength and fine-grained steel that warrants maximum stability. All pivot pins have greased bronze bushings. In addition to the fully equipped RZ 4.0, Hauer offers a simple version of the timber grab with the RZ-2.0 with inflexible reach arm.



TIMBER GRAB - RZ 4.0

- For 3-point attachment
- Grab 230 or 440
- High-grip grapple
- Large boom pivoting range (45° left/right)
- Massive continuous rotator with pendulum joint
- Long boom extension
- Integral serrated edge for firm fix on logs
- Perfectly protected oil lines
- Bronze-bushed pivot pins
- Optional blade extensions
- Control with ELC ergo 2 joystick possible

Grab	Carrying capacity kg	Weight kg	Max. jaw opening mm	Capacity m ²	Tree trunk Ø mm	Extension mm
230	4500	442	1450	0,23	bis 700	700
440	4500	478	1700	0,44	700 - 900	700

TIMBER GRAB - RZ 2.0

- For 3-point attachment
- Simple alternative to RZ 4.0, on same quality level
- Inflexible reach arm, without telescoping
- Easy connection and use with existing tractor spools
(2 double acting control units required)





Speciality joint for long life

Rotators should grab the logs in axial not in lateral direction. Therefore, this high-grade 4.5t continuous rotator has a specifically designed joint which ensures the rotator is always exposed to pulling rather than bending forces, thereby protecting it from potential damage when taking up the load and increasing its longevity.





FORESTRY ENGINE HOOD PROTECTION

- Protects the front, side and top of the engine hood
- Build backwards on each side approx. 300 - 500 mm
- Custom-build design depending on tractor type
- Ready for fixing steel cables to protect against branches
- To open the engine hood - can be folded to the front, no tools needed
- Optional headlight cover
- Optional laser cut customer specific lettering



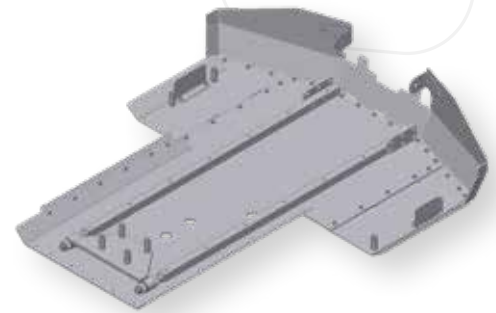
OPTIMUM PROTECTION FOR YOUR TRACTOR.

Hauer forestry guard plates are easy to attach and protect the entire underbody of the tractor. The guard has cut-outs with bolt-on plates that are removed for convenient access to all service points of the tractor and refit after servicing is completed. The underbody plates are available in two versions for up to 250hp tractors.



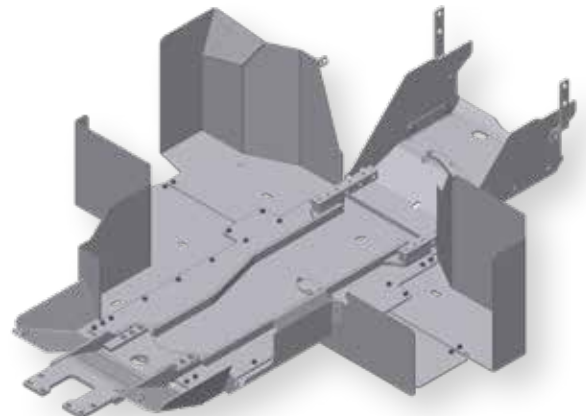
SHORT UNDERBODY PLATE

The short underbody plate from Hauer is very compact in size and offers protection primarily from below. The plate guards the area from the rear axle to the fuel tank and has a 200mm high bend on its front end.



PROFI UNDERBODY PLATE

The Profi underbody plate offers all-round protection from below and the sides and also guards the fuel tank. The plate covers the area from the rear axle to the front axle and the steering cylinders and has bent sides all-round for maximum protection up to the cab floor.





FLAT OR CURVED THE EASY WAY OF ROAD BUILDING

The rear-mounted HP 2461 grader from Hauer is perfectly suited for road building and maintenance in forestry, agricultural and communal applications. Developed to combat extreme conditions, the HP 2461 meets professional standards and offers exceptional stability and greatest versatility. Adjusting hydraulically in three dimensions, the grader adapts perfectly to any scenario. Its digging depth is controlled hydraulically via the tractor linkage or a jockey wheel as an option.

Standard features:

- Solid rectangular design
- Heavy-duty cutting edge from hardened steel; bolt-on design with countersunk bolts
- Hydraulic angle control via pressure relief valve
- Hydraulic tilt control via check valve
- Hydraulic offset control via pressure relief valve and check valve
- Single jockey wheel with stepless height control
- Scarifier mountings
- Prepared to mount optional extensions and deflectors





OFF-LINE WORK AND V-DITCHING

The grader offers 32° offset to either side for off-line grading and shaping. The hydraulic angle and offset control cylinders have pressure relief valves. The offset control system has an additional check valve that maintains the blade in a stable position. The hydraulic tilt control offers precision control relative to the line of travel. This hydraulic service has also a check valve that ensures the exact positioning of the blade, which is extremely helpful when cutting and cleaning V-ditches.

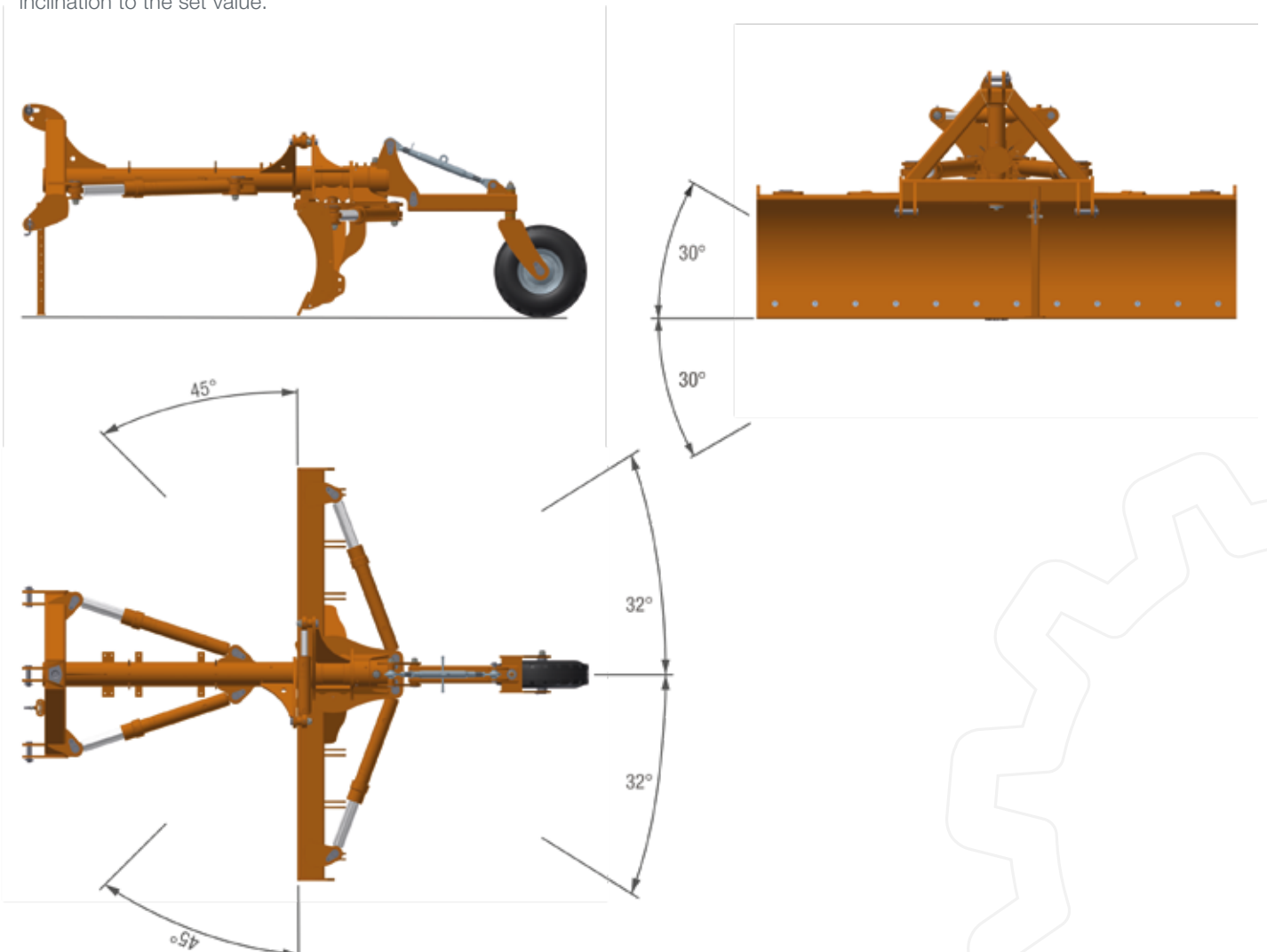


Control options:

As a standard feature, the HP-2461 is operated via three double-acting spools on the tractor. To operate the machine on tractors with fewer than three spools or using it behind various types of machines, Hauer offers a range of further coupling options.

For the control in combination with the ELC ergo 2, as well as for the control via the external oil supply, a tilt sensor is optionally available to compensate uneven ground. When required the level control can be activated on the ELC ergo 2 joystick and the control system adjusts the blade inclination to the set value.

- Solenoid reversing valves on the grader (1, 2 or 3 valves)
- Solenoid spool valves on the grader, control with ELC ergo 2 joystick in the cab (3 or 4 spool valves)
- External hydraulic system complete with pto pump and oil reservoir on HP 2461 (requires joystick operation!)



Options:

- 200mm blade extension (left or right), straight side edge
- Slanting extension for special bank sloping work or cleaning ditches (left or right)
- Deflector – keeps the material inside the blade (straight or slanting)
- Scarifiers – made from hardened and wear-resistant high-grade steel (approx. 400HB), including overload tripping system, scarifier mountings are a standard feature
- Hydraulic jockey wheel
- Twin wheel
- Pivoting axle with two jockey wheels
- Tilt sensor



Technical Data

Blade width	mm	2400
Blade height	mm	610
Weight	kg	840
Degree of angle	°	± 45
Degree of tilt	°	± 30
Degree of offset	°	± 32





Franz Hauer GmbH & CoKG
A-3125 Statzendorf, Werksstraße 6
Tel.: +43 / (0)2786 / 7104-0
info@hfl.co.at | www.hfl.co.at