

SQUARE BALE GRAB QBZ



Application

The Hauer QBZ square bale grab is the ideal attachment for handling square wrapped silage bales as well as straw and hay bales.

Description

The massive grab arms are made from thick-walled tube steel and apply a firm yet gentle grip on any type of square bales and also round bales.

Thanks to its sturdy design, the grab handles up to 1500 kg packs and also carries two square bales at a time if specified with optional tubes at the back that secure the top bale from the rear.

The two massive tubes conveniently retract into pipes by operating a simple mechanism for unhampered visibility during transport and compact storage dimensions.

Advantages

- Large jaw opening
- Heavy-duty build
- Durable and long-lasting
- Compact dimensions, optional retractable back tubes
- High load capacity



Standard specification

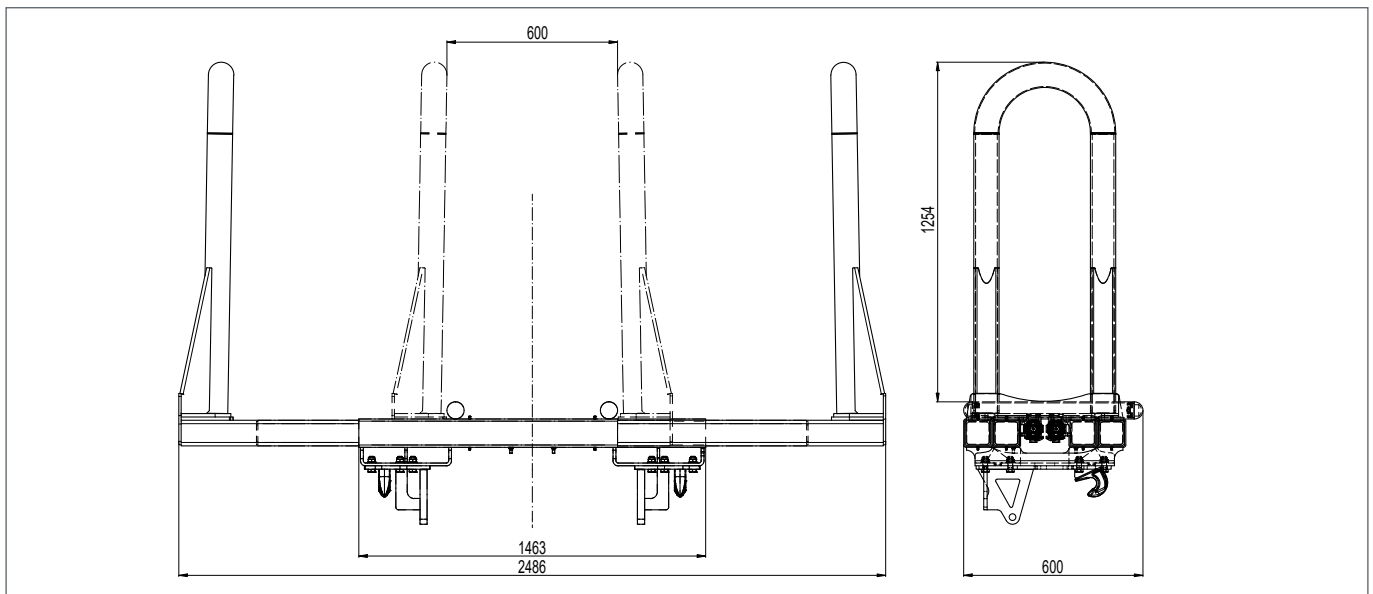
- SWE-EURO or Hauer mount
- Standard Hauer orange or Hauer matt black paint finish
- Oil line complete with couplers
- Check valve inside the grab control cylinder

Options

- Choice of coupling systems to suit many common carriages
- Paint finish in all RAL colours
- Extendable back tubes
- Flow divider for parallel jaw control
- Pressure relief valve for up to 190 bar operating pressures

Technical Data

Max. jaw opening mm	Load capacity kg	Min. width mm	Max. width mm	Transport width mm	Length L mm	Height H mm	Weight kg
2100	1500	600	2486	1463	1254	600	330



QBZ bale grab with back tubes

© Hauer 12/2021. The illustrated products may differ from standard specification products. Subject to errors and changes.