



XB BIONIC II

INNOVATION WITH TRADITION FOR LIFE.

QUALITY AND LONGEVITY FOR HIGHER YIELDS.



Since 1962, our family business at Statzendorf in Lower Austria has been designing and manufacturing front loaders and loader attachments. It is this longstanding experience together with our customer-focused philosophy that forms the basis on which our high-quality and practical equipment is built. In 2017, the company launched the new and successful XB BIONIC – the world's first front loader which integrates all parallel control componentry inside the boom. This loader features a unique outer skeleton that is modelled on the exoskeletons of crustaceans.

The latest XB BIONIC II takes this innovation to the next level of evolution by adding patented X kinematics to the by now well-proven design of integral tipping cylinders. The latest XB BIONIC II series of front loaders not only impresses by virtue of their exceptional styling but also by their many tangible benefits that translate into value for money and boosted productivity for many years to come.

The XB BIONIC II models were developed to offer our customers new front loaders that make hard work easier every single day and that offer new options that help reduce your running costs effectively over the long term. We started from an already high level of quality, because the front loaders from Hauer were the earliest loaders in the agricultural market. Today they are recognised for their exceptional resale value. Browse through this brochure or, better still, call on your Hauer ServicePartner or PremiumPartner to learn about the great benefits and exciting new options available with XB BIONIC II.

A golden wheat field at sunset with a blue sky and white clouds. The sun is low on the horizon, casting a warm glow over the scene. The wheat stalks are in the foreground, and the background is a vast field stretching to the horizon.

OUR
INNOVATIONS
SAFEGUARD YOUR YIELDS



INNOVATION TRIED AND TESTED.

Adopting the principles of design from Mother Nature proved to be a rewarding approach that takes the hard work out of your daily routine. All moving parts are accommodated inside the boom where they are protected from damage and contamination – a design that not only boosts their lifespan but also saves time spent on servicing and cleaning.

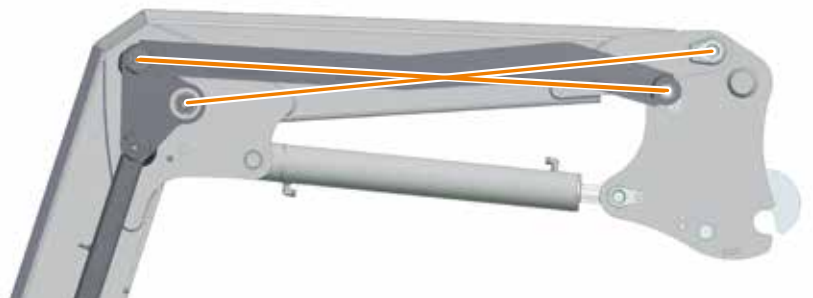
A comparison of the two models shows the clear advantage and sleek design of BIONIC II.





X-kinematics

The patented Hauer X-kinematics redefine the state of art in front loader parallel control manufacturing. By redefining the mechanical parallelogram by using diagonal X-kinematics we have been able to integrate the linkages inside the boom, which results in a much tidier and more compact design.



The X-kinematics



The traditional parallelogram



PRACTICAL DOWN TO THE SMALLEST DETAIL.

The X-kinematics and the well-designed boom sections make it possible to install the tipping cylinders inside the boom and in addition to that arrange them optimally for maximum efficiency.



The entire face of the piston is active when the attachment is crowded. This boosts the hydraulic power by up to 30% when breaking out and lifting heavy materials, such as when excavating or handling maize and square bales.



With much less oil acting on the ring area of the piston, dumping becomes much faster and costly quick valves are no longer necessary.

Sturdy stands

Agricultural sites are usually rough rather than even. These are the conditions the stands on XB BIONIC II are made for. Robust by design and offering an optimum notching system, they fold into position quickly and easily.



The steel sections have five edges and the cross beam is double-walled, providing a torsion-free structure that withstands the toughest conditions. The cross beam is mounted at an angle to adopt the operator's line of vision for best visibility.

All **valves and hydraulic parts are housed inside** the double-walled cross beam where they are protected from falling materials and objects in forestry work.



Swapping attachments – easy

The attachment itself and the hydraulic couplers are operated from this handle which is conveniently placed on the left side of the quick-coupling carriage.

EXCELLENT OVERVIEW

PERFECT WORK.

Cross beam at an angle

By integrating the parallel control system inside the boom we expanded the operator's field of vision substantially.

The cross beam is mounted at an angle for minimum impairment of operator visibility in every loader position. This translates into a significant increase in work safety, particularly when stacking pallets and boxes to the height of a trailer.



Implement assistant for smooth implement attachment

This yellow indicator is a Hauer-only detail. Fixed to the quick-coupling tube, it aligns with a counterpart decal on the back of the implement, taking the guess work out of coupling.





“Just perfect!
I can see everything I need to see!”

The excellent view makes stacking boxes and pallets as well as driving on public roads a comfortable and safe affair.

The implement assistant makes attaching an implement a very straightforward procedure. The loader is supplied with a set of decals for marking your existing attachments.



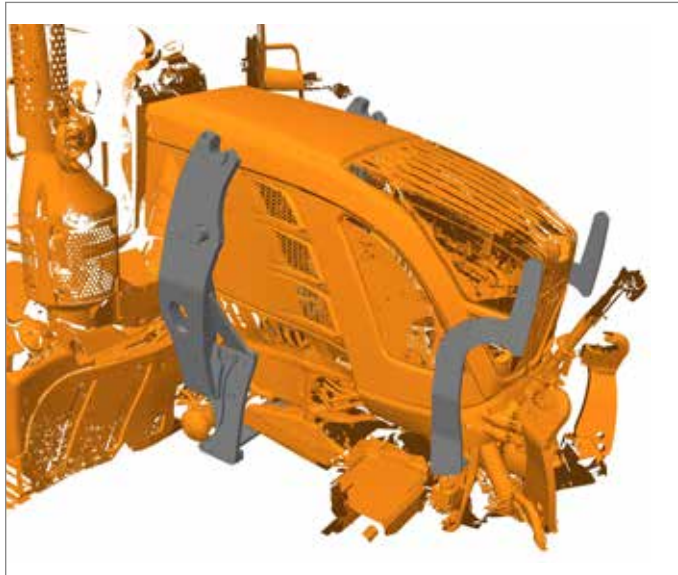
QUICK AND ACCURATE
THANKS TO OPTIMUM LOAD CONTROL



COMPACT, STURDY AND PROFESSIONAL.

Hauer offers a choice of as many as 3500 different loader brackets, thus providing the optimum solution for every tractor. Over time we developed a host of different systems that suit nearly all tractor makes and models.

The aim has always been to ensure the best possible stability and the most compact design. Today we use advanced computer aided design and 3D measurements to ensure the brackets meet the exacting tolerances. After all, precision fit is the key for a cost-effective installation of the bracket by your dealer.



XB BIONIC II series brackets **XB 50 - XB 110**

TOP-BLOCK is a system that attaches the loader to your tractor without requiring a horizontal beam to the front. At the same time, it is self-locking and hard-wearing. The well-designed system ensures operators enjoy an excellent view of the load.

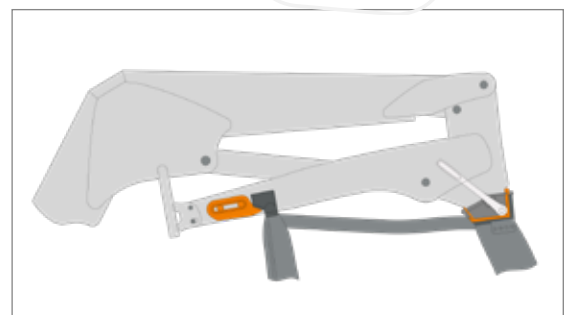
All parts of the system provide a durable, stable and positive-locking attachment to the front loader. The front loader is secured in place by an adjustable double eccentric pin. Attaching and removing the loader is a matter of minutes.



The **TOP-BLOCK-KII** is available as an option for TOP-BLOCK and locks home automatically.



The **horizontal beam** that links the front and rear part of the bracket – the so-called Hauer '**Oberrahmen-System**' – is used only very rarely on modern tractors. It provides four mounting points to attach the loader to the tractor.





SHEER MUSCLE POWER

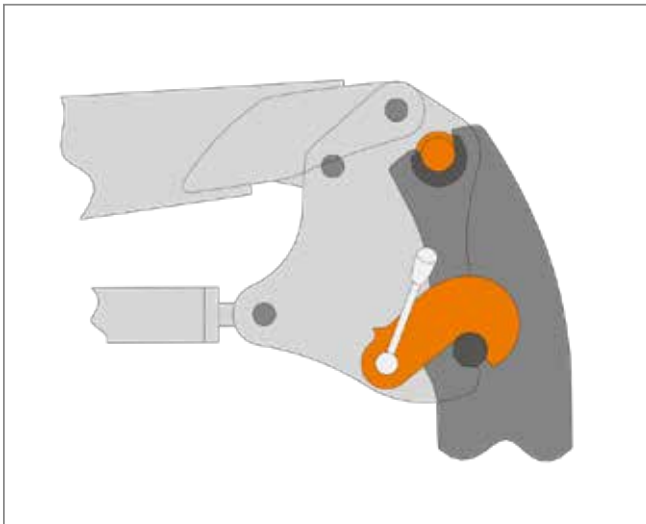
MAKES THE TOUGHEST JOBS
A SPECIAL EXPERIENCE

A perfect-fit bracket is indispensable for transferring the tractor power efficiently to the loader and handling the load in the optimum way.

To ensure a good weight distribution to both axles, the loader should be mounted as close to the cab as possible. Thanks to its compact design, the bracket neither affects the turning angle nor the pivot range of the front axle. Also, it makes for easy and convenient access to all service points on the tractor.



HEAVY-DUTY BRACKETS FOR HIGH-HORSEPOWER TRACTORS.



XB BIONIC II series brackets **XB 130 - XB 190**

Featuring 60mm bearing bolts and special mounting bosses, this **TBS-HV bracket system** is designed for transferring particularly high forces.

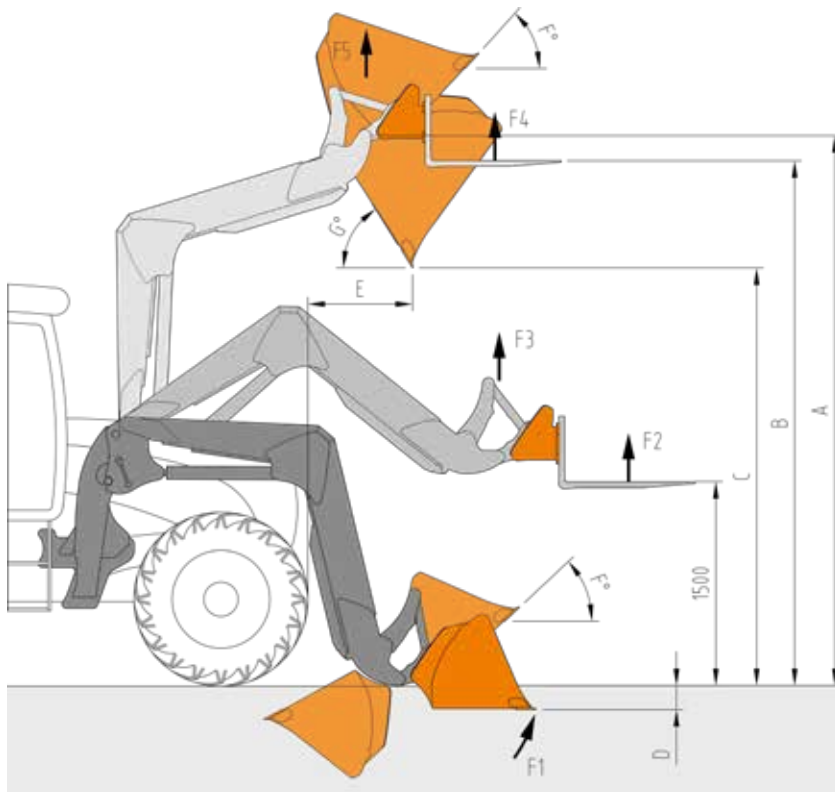
As a standard feature, the new system features an automatic locking system on all models from XB 130 BIONIC II onwards. To remove and park the loader, simply open the bracket with the easy-to-operate lever.



Featuring the finite element method, the **TBS-HV** bracket system is optimised for high-horsepower front loader tractors.

XB BIONIC II TOP EQUIPMENT INCLUDED.

- XB BIONIC II front loader featuring internal parallel control components and is supplied with a front end guard, hydraulic lines to the original spool, oil hoses, couplers, carriage and a set of bolts. All these items are tailored to the specific tractor make and model
- Implement quick-coupling carriage with provision to fit a swivel hook, original HAUER, EURO, SMS or MX couplers
- Modular MCV valve chest inside the cross beam for best protection
- Double-acting lift ram
- Double-acting tipping ram with pressure relief valve
- Replaceable bronze bushings in all pivot points
- Tap inside the lifting line
- Oil lines routed along the underside for protection
- Adjustable level indicator
- Adjustable stands, manually operated
- Implement assistant



Technical Data

Front loader weight
Recommended tractor power
Max. lift height on pivot pin
Max. lift height, raising a pallet fork
Drop-off height
Bucket digging depth
Dump reach at max. lift height
Soil bucket break-out force
Lift force raising a pallet fork to 1500mm
Lift force on pivot pin at up to 1500mm
Lift force raising a pallet fork to max. height
Lift force at max. lift height on pivot pin
Crowd angle
Dump angle



		50	70	90	110	130	150	170	190
	kg	558	572	594	606	784	803	836	854
	HP	up to 65	up to 80	75-100	90-120	100-150	120-200	150-230	180-280
	kW	up to 48	up to 59	55-74	66-88	74-110	88-147	110-169	132-206
A	mm	3580	3715	3830	4005	4045	4240	4505	4840
B	mm	3395	3530	3645	3820	3860	4055	4320	4655
C	mm	2625	2765	2875	3045	3070	3300	3570	3890
D	mm	180	180	180	180	180	180	180	180
E	mm	800	800	800	900	700	750	800	850
F1	kg	2900	2900	2900	2900	3600	3600	3600	3600
F2	kg	1440	1740	1950	2160	2570	2770	2540	2900
F3	kg	1690	1910	2110	2340	2780	2990	2780	3110
F4	kg	1360	1600	1830	1940	2160	2430	2140	2370
F5	kg	1580	1770	1980	2090	2470	2560	2730	2530
F	°	48	49	48	48	43	48	48	48
G	°	55	54	55	55	58	53	53	53

Illustrations, photos and figures are approximate and not binding. They may vary slightly depending on the loader's mounting height and tractor tyres. Lift force at 210 bar

WANT MORE COMFORT? HERE YOU ARE!

Available options:

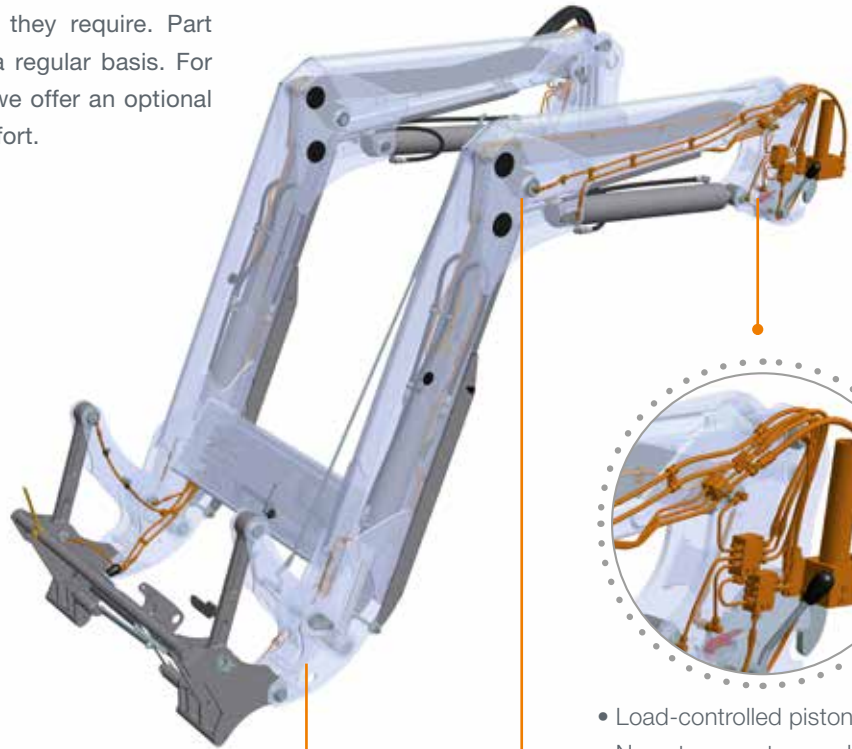
- Synchro-Lock multicoupler (also available with integral electric coupler)
- Up to three extra hydraulic services
- SMS shock absorber for front loaders - either mechanical or electric
- Joystick cable remote control valve
- ELC ergo 2 joystick featuring electric proportional control
- Swivel hook
- Hydraulic attachment locking system
- Hydraulic 14° left/right slewing mechanism, integrated in the quick-coupling carriage
- Safety package for work cages
- Auxiliary oil lines to hydromotor or remote function, double-acting 12mm internal diameter, left or right
- Custom paint finish of boom and brackets
- V mirrors (Switzerland)
- Camera-ready
- Camera
- Auto lubricator
- LED lights
- Cross beam guard for forestry work



SAVE TIME AND COSTS AUTOMATIC LUBRICATION.

Enhanced operator comfort

Today, the Hauer front loaders rate among the most durable implements that are used around the farm – provided they receive the minimal amount of attention they require. Part of this is servicing the grease points on a regular basis. For loaders that are worked nearly non stop, we offer an optional auto lubricator for top-notch operator comfort.



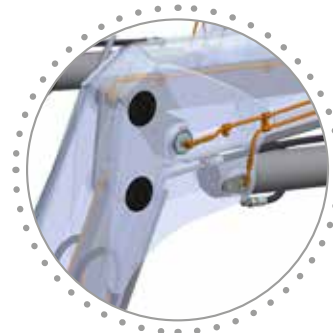
- Effective lubrication of all pivot points
- High-pressure plastic hoses reinforced by synthetic braids

Lubrication is the key

Each time the boom is raised, a shot of grease is applied to all lube points one after the other – an effective and time-saving approach. The dose is adjustable to individual needs. The grease cartridges are the regular type S units for fast and easy replacement.



- Load-controlled piston pump
- No extra remote coupler required
- Grease cartridge (400cm³)



- Perfectly integrated in the machine
- Optimal attention to all pivot points
- Clear view of the work at hand

FOR YOUR BENEFIT SPECIAL EQUIPMENT IN ATTRACTIVE PACKAGES.

Performance Package 1

- Synchro-Lock multi coupler with integral 3-pin E-connector
- Spool valve for 3rd service
- SMS shock absorber (mechanical)

Performance Package 1 A

- Performance Package 1
 - Diverter valve (front loader and trailer or front loader and front linkage)
- Custom kits are available on request

Performance Package 2

- Performance Package 1
- Joystick cable remote control valve

Performance Package 3

- Performance Package 1
- 7-pin E-connector (instead of 3-pin E-connector)
- ELC ergo 2 - electric proportional joystick
- Armrest for ELC ergo 2



Straightforward machine control with the mechanical joystick

The mechanical joystick control is the perfect retrofit option for tractors that lack the necessary spools. This offers two double-acting circuits for lift/drop and tilt/crowd and optional wiring kits that include the necessary push buttons for operating up to three extra hydraulic functions.

The separate chest is mounted either under the tractor cab or on the implement carriage and is cable controlled with the joystick. We offer either custom kits for every tractor model or universal kits for which you need to specify the required cable length.

The Performance Package 2 comprises the joystick cable remote control valve complete with all necessary push buttons and wiring kits.



 **haver**®



MOST COMFY AND EASY TO USE.

Offering easy use and a professional level of specification, the electric proportional ELC ergo 2 stands out for particularly precise and modulated control.



3rd service* button

12V/60W

4th service* button

12V/60W

5th service button, electr. SMS or work lights*

This can also be assigned any other function acting as a button, 12V/60W

Roll-back button*

This can also be assigned any other function acting as a button or switch, 12V/60W

Shedding button

This can also be assigned any other function acting as a button or switch, 12V/60W

Float position button

This can also be assigned any other function acting as a button or switch, 12V/60W



*Some extra hydraulic functions require extra spools and sensors

ELC ergo 2 with new extra functions

The ELC ergo 2 joystick controls the traditional functions plus extra hydraulic spools for implements and such functions like auto shedding, attachment roll-back or SMS loader shock absorber. In addition to these, customers can opt for up to six extra and customisable functions (e.g. tractor powershift/shuttle). These must be programmed by dealer staff. In standard configuration, the joystick controls the 3rd and 4th services, shedding and two float positions for tilt/crowd and lift/drop. These functions can easily be reprogrammed by operating two buttons in combination and without making a change to the software.



Standard specification:

- The ELC ergo 2 joystick is comprehensively specified with all switches, buttons and LED indicator lights that may be necessary for retrofitting optional features. There is no need to modify the joystick when adding further functions.
- Hydraulic chest complete with mounting plate - Load Sensing or Open Center
- Electric control box
- Wiring kit including connecting line
- JHoses and hose couplings to connect the unit to the tractor hydraulics

Available options:

- Armrest with five setting options for Grammer seats
- Roll-back function
- Wiring kit incl. one or two buttons for electric front-lift II control





PREMIUM QUALITY MADE IN AUSTRIA DURABILITY - THE BASIS OF PROFITABILITY.

All Hauer products are fabricated to the most advanced manufacturing methods at our Statzendorf factory in Lower Austria. We select and use premium-quality materials – the key for durable equipment and long-term use in the most arduous conditions. Yet, it takes more than the best steels to make the **best products and create maximum value for money**. It also takes experienced and continuously retrained staff plus an actively pursued quality assurance scheme.

State-of-the-art manufacturing technology and many years of experience form the bedrock on which our tradition of high quality is built. Hauer implements offer an exceptionally long lifespan which brings maximum gain for our customers.

Front loaders and loader attachments from Hauer continue to offer the best operator experience – today and in the future.





THE PROPER ORIGINAL ATTACHMENT FOR EACH JOB.

Examples from our extensive attachment portfolio





Franz Hauer GmbH & CoKG
A-3125 Statzendorf, Werksstraße 6
+43 / (0)2786 / 7104-0
info@hfl.co.at | www.hfl.co.at